

Your Success is Our Goal

SIEMENS

Industrial Solutions and Services



Manual Pay Station for calculating parking fees and issuing various types of tickets.

- tariff calculation incl. discount processing
- renewal and additional payment of season parker cards
- charging and additional payment of debit cards
- issuing and payment of prepaid tickets
- issuing of lost tickets
- issuing of replacement tickets
- shift report after shift change
- external display and keyboard
- external receipt printer for issuing receipts using thermal printing technology
- Ethernet connection

Basic equipment

Magnetic card reader for processing SIPARK PMA side strip tickets

Wire matrix printer for printing car park data, payment time and ticket number on inexpensive uncoated paper tickets

Terminal Control Computer LCC with LINUX® operating system, with passive cooling, wear-free storage medium and MPS application

Ethernet connection for communication with the data control centre (LAN, WAN (VPN), WLAN)

External LCD, 2 x 20 characters, backlit

External receipt printer for issuing receipts using thermal printing technology

Keyboard

External power supply unit

Function cards for authorised staff

Linear, progressive and degressive rate structure

Options

External customer display

Magnetic card reader for processing SIPARK PMA central strip tickets in all 4 insertion directions in order to minimise operating errors and optimise throughput

Cash-free payment of parking fee by credit cards, ec-cards

Cash-free payment via contact chip-based cards (electronic purse, e.g. SmartCard, Quick Card)

Installation of customised card readers

Value/time cheque processing

Processing of magnetically coded discounts

Hotel ticket function: recodes short-term parker tickets as congress tickets with special rate

EasyMove for the renewal, additional payment or charging of hands-free season parker cards and debit cards

Options

Multi-application capable smart card system (RFID) ISO 15693, ISO 14443, Mifare or Legic for the identification of hands-free season parker cards and debit cards during renewal, additional payment or charging

Manual payment processing at exit via direct barrier control (separate interface)

Ticket insertion from belt

Report printer for all payment processes

Intercom device: Integrated in the casing

External cash drawer

Surge voltage device protection

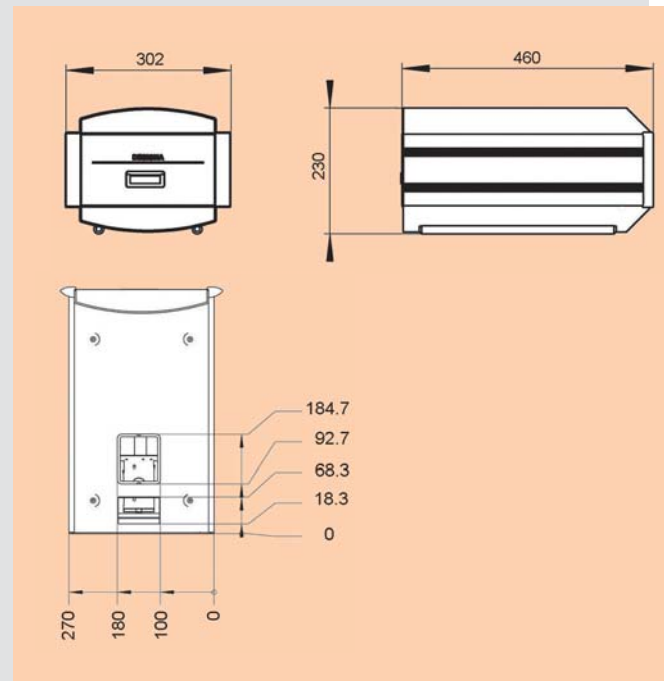
Uninterruptible power supply

Cable lengths

MPS display:	2 m
MPS customer display:	2 m
MPS receipt printer:	1 m
MPS ext. contact chip-based card reader:	2 m
Display keyboard:	2 m
Receipt printer cash drawer:	1.3 m

Design

Casing:	aluminium, anodised
Front panel:	aluminium, anodised
Cover/base:	plastic (light grey)



Technical data

Power supply:	24 V DC; via external power supply unit
External power supply unit:	100–240 V AC 47/63 Hz
Power consumption:	100 W
Weight:	approx. 8 kg
Dimensions:	see figure
Casing:	142 x 132 x 199 mm (W x H x D)
Receipt printer:	244 x 40 x 162 mm (W x H x D)
Keyboard:	235 x 98 x 89 mm (W x H x D)
Display:	235 x 98 x 89 mm (W x H x D)

www.siemens.com/traffic

The information provided in this brochure contains merely general descriptions or characteristics of performance which in actual case of use do not always apply as described or which may change as a result of further development of the products. An obligation to provide the respective characteristics shall only exist if expressly agreed in the terms of contract.

Siemens AG
Industrial Solutions and Services
Intelligent Traffic Systems
I&S ITS
Hofmannstrasse 51
81359 Munich, Germany

Order No.: E10003-A820-A6-V1-7600
Printed in Germany
Dispo No.: 22300 K No.: 39903
11C6299 C-TSRT5207M03 PA 11062.
Subject to change without prior notice

© Siemens AG 2006. All Rights Reserved